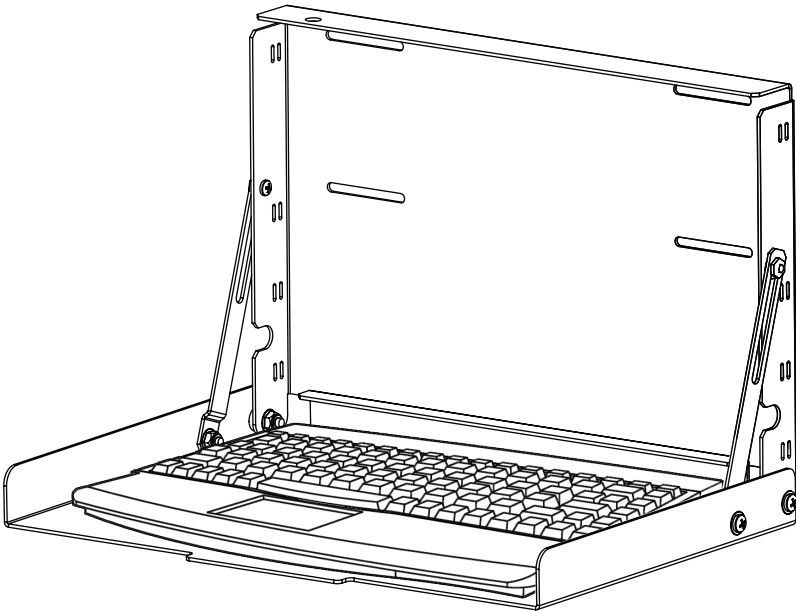


# Wall Mount Keyboard



Installation Instructions  
Kit P/N: WALL-KYB-001

# Kit Contents

---

## Assembly Components:

- (1) Keyboard
- (1) Keyboard Wall Mount

## Wall Mount Hardware Package:

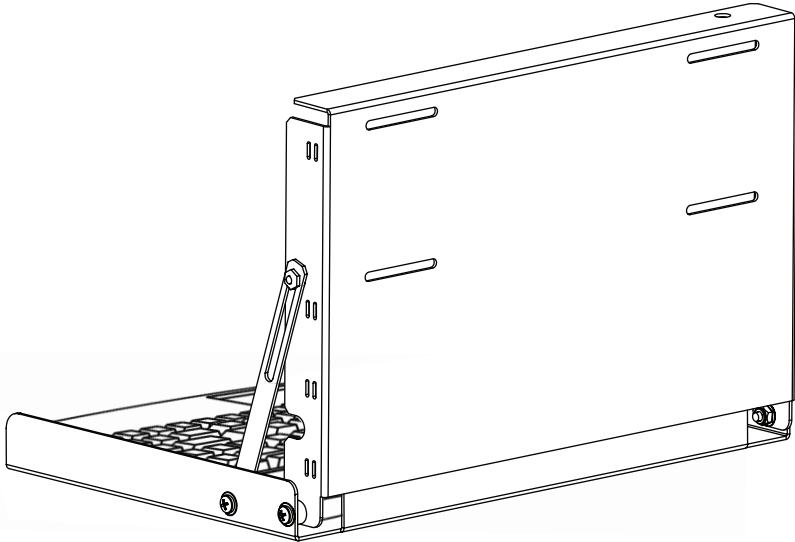
- (4) Pan Head Screws
- (4) Anchors

# Installation Instructions

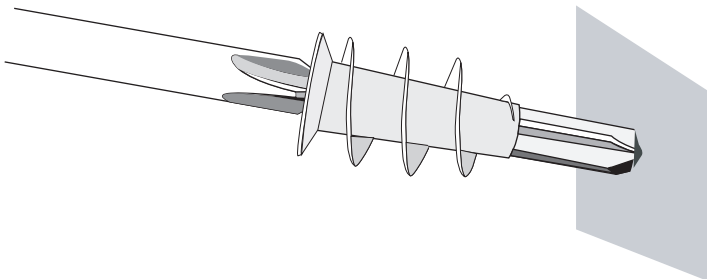
---

**Step 1.** Determine Location: Select appropriate location on wall. Consider cable routing and length.

**Step 2.** Mark Hole Positions: Hold Mount Base in position and mark 4 hole positions with pencil.

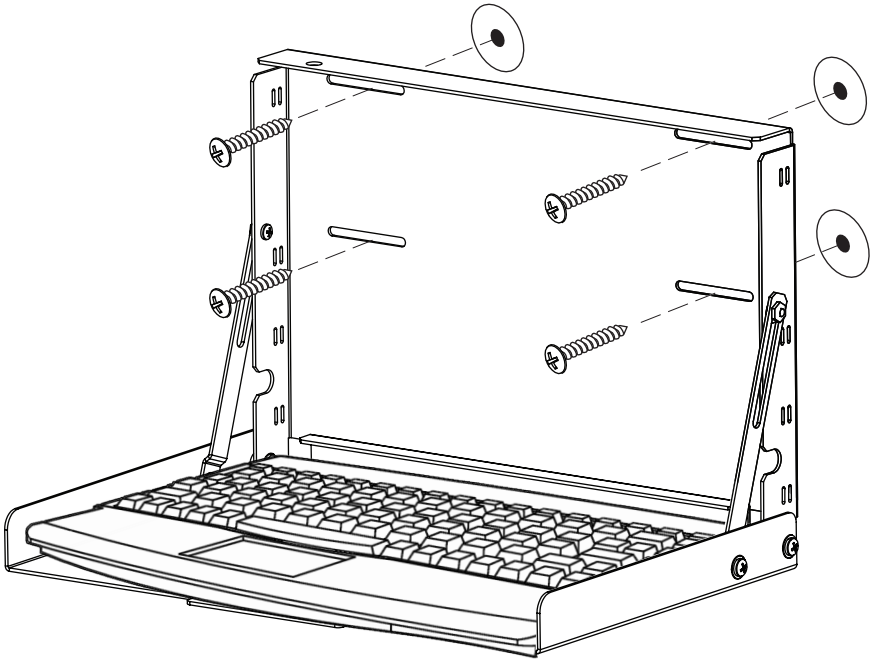


**Step 3.** Install Drywall Anchor: Install one drywall anchor at each hole mark. Using a #2 Phillips head screwdriver press the anchor into the drywall while turning clockwise until it is seated flush with the wall.



# Installation Instructions

**Step 4. Attach Mount Base:** Attach Mount Base to wall using the 4 screws supplied in Wall Mount Hardware Package. Tighten securely.



Warranty Statement

Innovation First, Inc. warrants our products against defects in material and workmanship for a period of one (1) year from the date of purchase. Innovation First, Inc. liability shall be limited to repairing or replacing, at our option, any defective product.