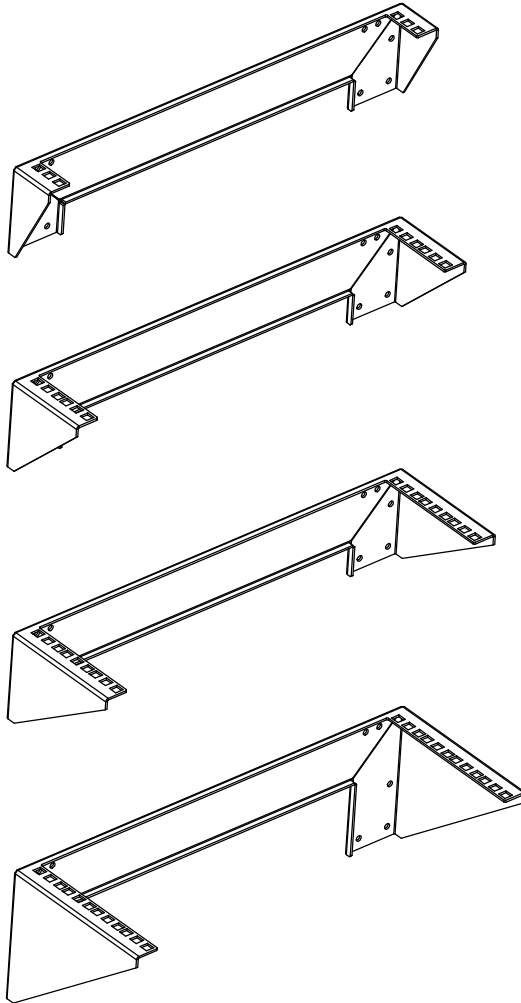


Wall Mount Bracket



Installation Instructions

Kit P/N: 1URACK-119

2URACK-119

3URACK-119

119-5028

Kit Contents

Assembly Hardware:

(1) Main Bracket

Drywall Anchor Hardware:

(6) #8 x 1.250" Anchor Screws

(6) Drywall Anchors

Rack Mount Hardware:

(4) 10-32 x .500 Pan Head Screws

(4) 12-24 x .500 Pan Head Screws

(4) 12-24 Square Nuts

(4) 12-24 Cage Nuts

1U Wall Mount Bracket Installation Instructions

Note: Rated weight capacity using included hardware are as follows:

1U: 35 lbs

2U: 70 lbs

3U: 105 lbs

4U: 105 lbs

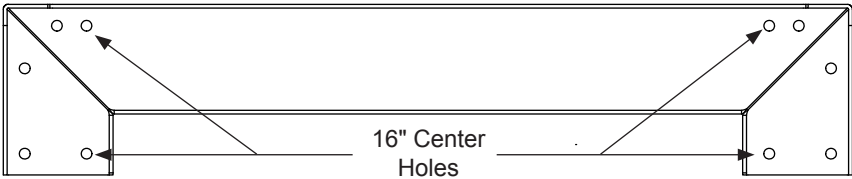
Load capacity is limited by fasteners. For increased load capacity up to 200 lbs contact a professional engineer for mounting recommendations.

Step 1. Determine Location: Hold frame at desired position on wall or under desk.

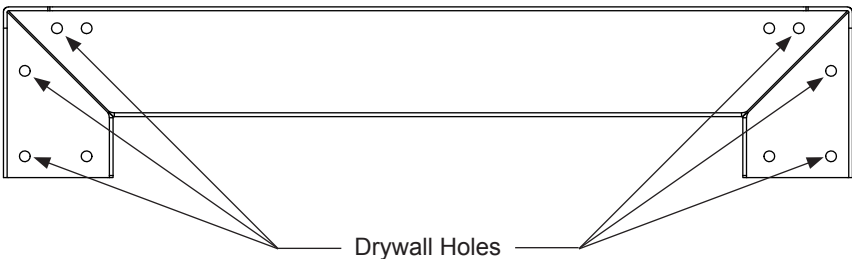
Step 2a. Marking the Hole Position for use with 16" Center Studs: Using the 4 holes identified below, mark the mounting surface for the location of the screws.

NOTE: The Auger Style Anchors are not required when installing directly into the Wall Studs.

Note: Not intended for use in metal studs.



Step 2b. Marking the Hole Position for use with Drywall or Sheetrock: Using the 6 holes identified below, mark the mounting surface for the location of the Auger Style Anchors. Install the 6 anchors in the marked locations.



Mount Bracket Installation Instructions

Step 3a. Frame Installation for use with 16" Center Studs: Using the 4 Anchor Screws supplied in the kit, install the frame in the location marked in Step 2a.

Note: Not intended for use in metal studs.

Step 3b. Frame Installation for use with Drywall or Sheetrock: Using the 6 screws supplied in the kit, install the frame in the location marked in Step 2b

Warranty Statement

Innovation First, Inc. warrants our products against defects in material and workmanship for a period of one (1) year from the date of purchase. Innovation First, Inc. liability shall be limited to repairing or replacing, at our option, any defective product.